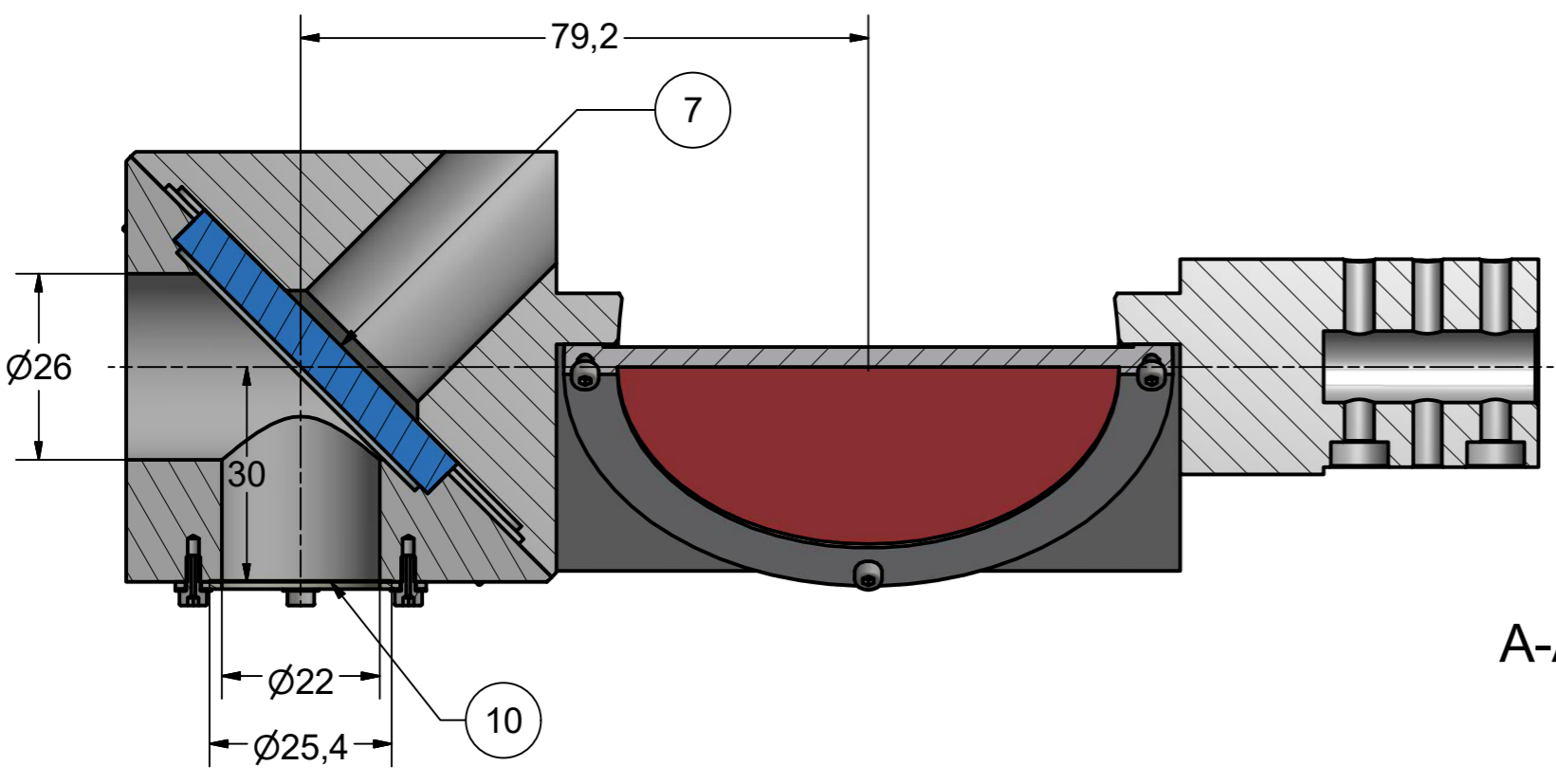
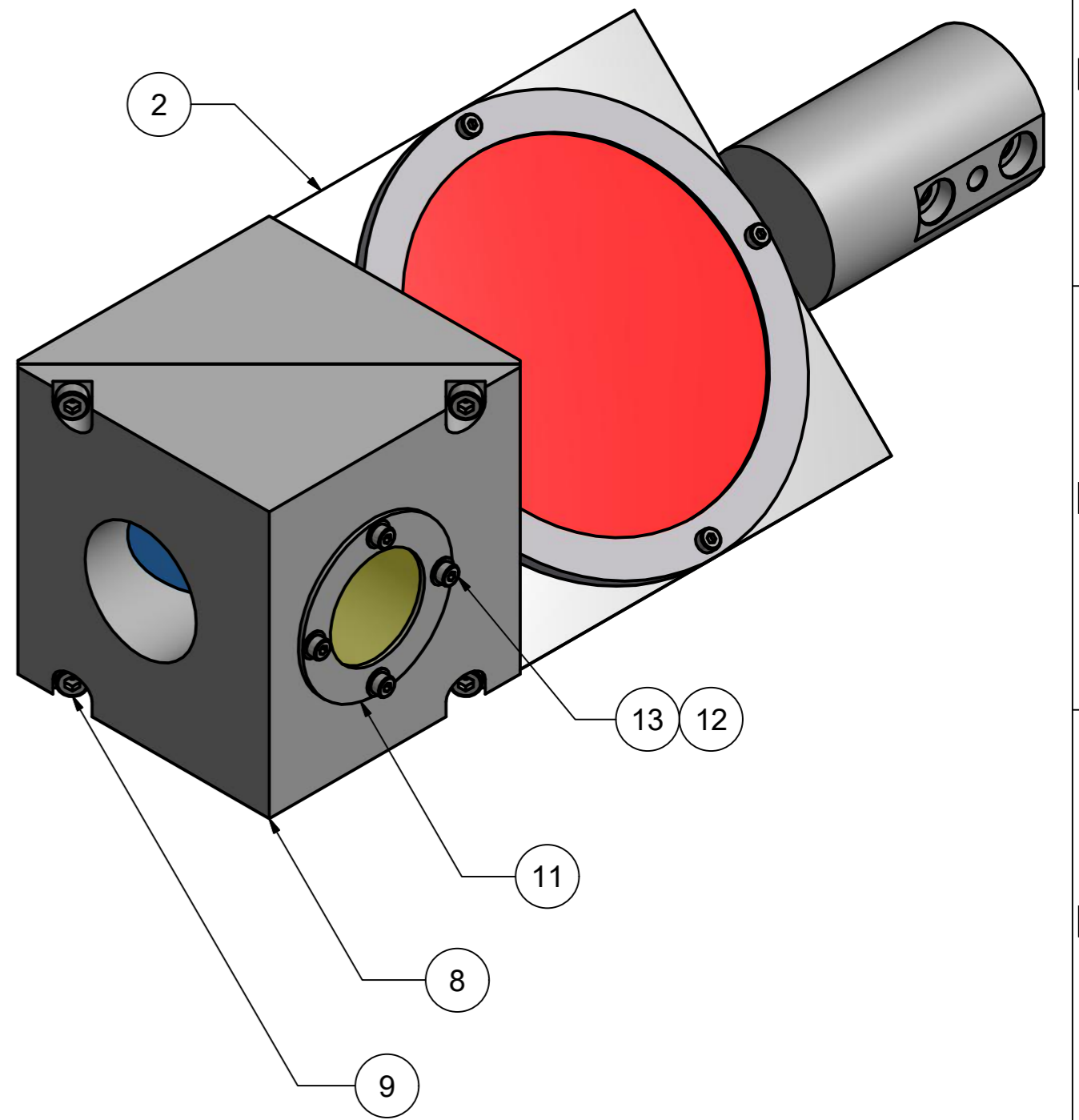
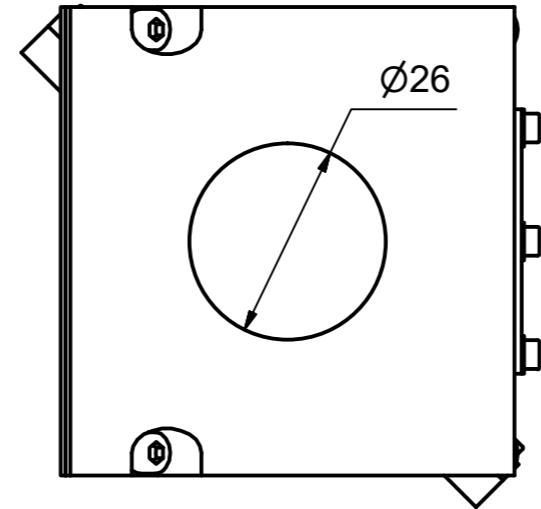
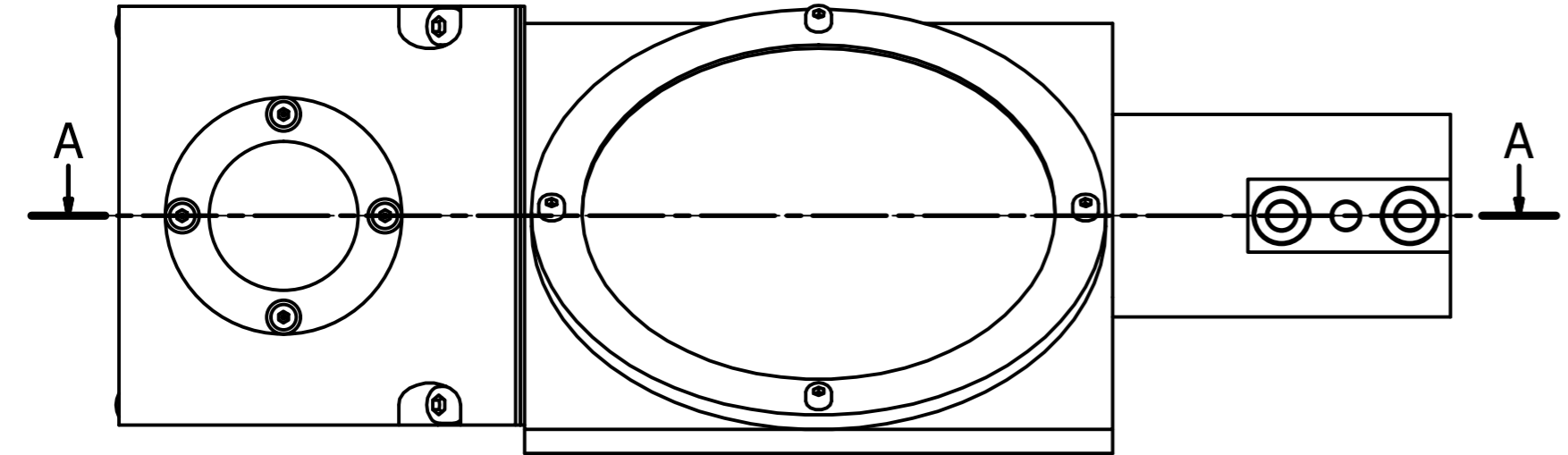


REV	ZONE	DESCRIPTION	DATE	APPROVED



A-A ( 1 : 1 )

ITEM	QTY	DRAWING N.	DESCRIPTION	MATERIAL
1	1	SPECCHIO-M1		INFN
2	1	SB-01-130		INFN
6	4	ISO 4762 - M2 x 8	VITE FORATA	AISI 316L
7	1	specchio-YAG		INFN
8	1	SB-01-132	TELAIO YAG M1	AL 6082 T6
9	4	ISO 4762 - M3 x 8	VITE FORATA	AISI 316L
10	1	YAG-SCREEN-M1		INFN
11	1	SB-01-133	CORNICE YAG SCREEN	AL 6082 T6
12	4	ISO 7089 -2-140 HV	RONDELLE PIATTE	AISI 316L
13	4	ISO 4762 - M2 x 5	VITE FORATA	AISI 316L

PROJECT: SABINA ASSEMBLY: SUB-ASSEMBLY: Ra:

INFN - LNF

National Institute of Nuclear Physics  
Frascati National Laboratories

Q.TY: 1 MATERIAL: TREATMENT: UHV

GENERAL TOLERANCES UNI EN 22768-1-1996

DESCRIPTION: M1-YAG-MOVIMENTO

DRAWN: G. de Bernardis	DATE: 24/06/25	CAD FILE NAME:	
APPROVED:	DATE:	MASS(kg):	SCALE: 1:1
RELEASED:	DATE:	SIZE: A2	SHEET N°: 1/1

DRAWING N°: <b>SB-01-110-00</b>	REV: <b>00</b>
------------------------------------	-------------------

OFFSET SIZE LIMIT FOR CHAMFERS-FILLETTS (UNI EN 22768-1:1996)

> 6	±1
< 6	±0.5
<= 3 (mm)	±0.2

OFFSET SIZE LIMIT FOR LINEAR DIMENSIONS (UNI EN 22768-1:1996)

> 2000	±2
> 1000	±1.2
> 400	±0.8
> 120	±0.5
> 30	±0.3
> 6	±0.2
> 3	±0.1
<= 3 (mm)	±0.1